

## Area Drains

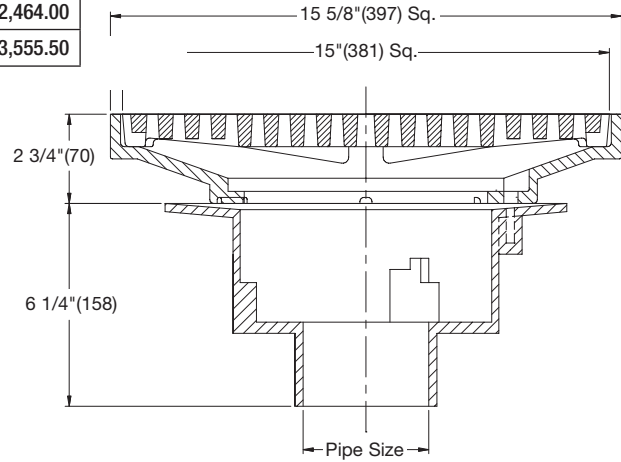
### FD-450-F Area Drain with 15" x 15" Fixed Top



Model Number	Weight (lbs.)	Grate Size	Outlet Size	Grate	List Price
FD-452,3,4,5,6,8	120	15" (381) Sq.	2,3,4,5,6,8"	ductile iron	\$2,464.00
FD-452,3,4,5,6,8-1	120	15 1/2" (394) Sq.	2,3,4,5,6,8"	nickel bronze	3,555.50



**Note:** Funnels are ordered separately.  
 See page 63 for details.



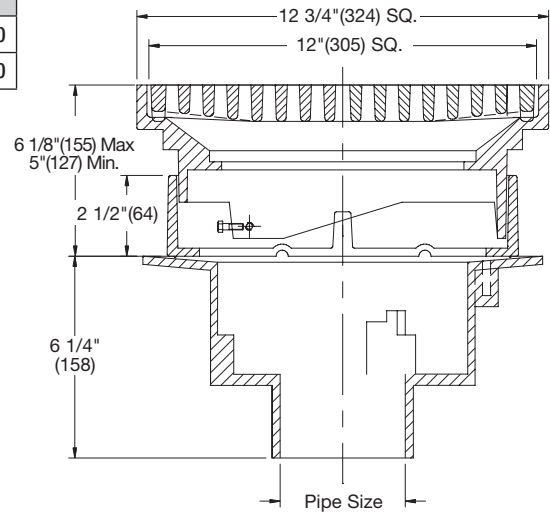
### FD-460 Area Drain with 12" Square Adjustable Top



Model Number	Weight (lbs.)	Grate Size	Outlet Size	Grate	List Price
FD-462,3,4,5,6,8	70	12" (305)	2,3,4,5,6,8"	ductile iron	\$1,911.00
FD-462,3,4,5,6,8-1	70	12 1/2" (318)	2,3,4,5,6,8"	nickel bronze	3,000.00



**Note:** Funnels are ordered separately.  
 See page 63 for details.



#### Options for FD-450, FD-450-F Series:

Suffix	Description	List Price	Suffix	Description	List Price
None	No Hub	No Add	-34	Closure Plug	\$120.50
P	Push-On (2,3,4,6" Only)	No Add	-60	PVC Body w/Socket Outlet (2,3,4,6" Only)	No Add
T	Threaded Outlet (2,3,4,6" Only)	\$80.00	-61	ABS Body w/Socket Outlet (2,3,4" Only)	No Add
X	Inside Caulk Outlet (2,3,4,6" Only)	No Add	-F4-50	4" Round Cast Iron Funnel	179.00
-5	Sediment Bucket	256.00	-F4-1	4" Round Nickel Bronze Funnel	428.00
-6	Vandal Proof	147.00	-F6-1	6" Round Nickel Bronze Funnel	625.50
-7	Trap Primer Tapping	150.00	-G-50	4x9" Oval Cast Iron Funnel	423.00
-8	Ball Float Backwater Valve (2,3,4" only)	377.50	-G-1	4x9" Oval Nickel Bronze Funnel	872.00
-9	Hinged Grate	273.50	-S0	Side Outlet	336.00
-13	All Galvanized	1,964.00			
-21	Secondary Strainer	67.50			



Consult factory for all applications outside of listed parameters.  
 Prices do not include applicable taxes.